

# NORMACONNECT® VPP Bridge



**Designed to withstand extreme temperatures up to 1050 °C**

- ✓ Operates at higher temperatures than conventional profile clamps
- ✓ Quick and easy installation due to spring bridge
- ✓ Higher clamping force than conventional clamps
- ✓ Minimum installation space required



Air Intake & Induction



Exhaust Systems



Cooling Systems



Fuel & Oil Systems

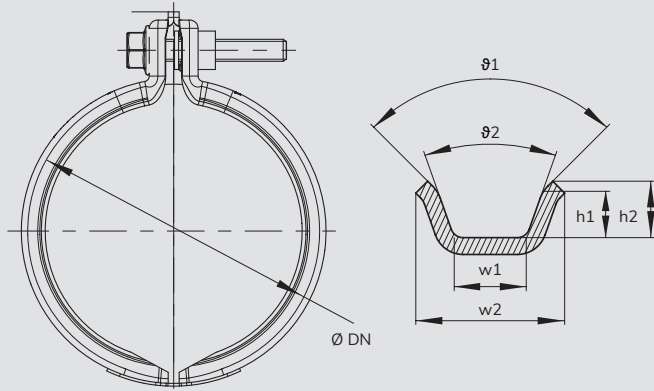


Turbocharger Installations



Fixing & Retaining

**NORMACONNECT® VPP Bridge**



**Applications**

The NORMACONNECT® VPP Bridge is used in different segments of exhaust systems as well as turbocharger installations. It is designed for easy and quick installations and high clamping forces.

**Materials**

Group:	WS
Profile:	1.4571/SUS 316TI
Screw:	A2-70
Nut:	A2
Spring:	1.4310/SUS 301 or 1.4828/SUS 309

Part number	Description	Ø DN (mm)	Packaging quantity (pcs)	Profile dimensions					
				w1 (mm)	w2 (mm)	h1 (mm)	h2 (mm)	ϑ1	ϑ2
0168 0000 079	VPP Bridge 079	79	25	8.55	17.15	5.5	6.7	39°	90°
0168 0000 083	VPP Bridge 083	83	25	8.55	17.15	5.5	6.7	39°	90°
0168 0000 086	VPP Bridge 086	86	25	8.55	17.15	5.5	6.7	39°	90°
0168 0000 094	VPP Bridge 094	94	25	8.55	17.15	5.5	6.7	39°	90°
0168 0000 096	VPP Bridge 096	96	25	8.55	17.15	5.5	6.7	39°	90°
0168 0000 098	VPP Bridge 098	98	25	8.55	17.15	-	6.0	40°	-
0168 0000 101	VPP Bridge 101	101	25	8.55	17.15	5.8	7.2	39°	90°
0168 0000 107	VPP Bridge 107	107	25	8.55	17.15	5.5	6.7	39°	90°
0168 0000 113	VPP Bridge 113	113	25	8.55	17.15	5.5	6.7	39°	90°
0168 0000 120	VPP Bridge 120	120	25	8.55	17.15	5.5	6.7	39°	90°
0168 0000 138	VPP Bridge 138	138	25	8.55	17.15	5.3	6.7	39°	90°

**More benefits**

- ✓ Lack of coverband reduces temperature difference and cost of clamp
- ✓ Movable swivel nut ensures movement of nut along the screw axis leading to less tolerance influences during tightening

**NORMACONNECT® VPP Bridge is part of a broad portfolio. Discover more!**



V QRC



CC



**Do you have questions or require a personal consultation?**  
 Feel free to contact our Automotive Aftermarket Team! Hotline +44 1635 574 005  
 Visit our website for more information about our Automotive Aftermarket products: [norma-aftermarket.com](http://norma-aftermarket.com)

