


NORMACONNECT® ARS





Secure, reliable connection for pipes that are fitted into one another


- ✓ One piece
- ✓ Contact surface meets pipe consistently
- ✓ Even contact pressure over entire pipe circumference
- ✓ No risk of asymmetrical pipe deformation

 Air Intake & Induction

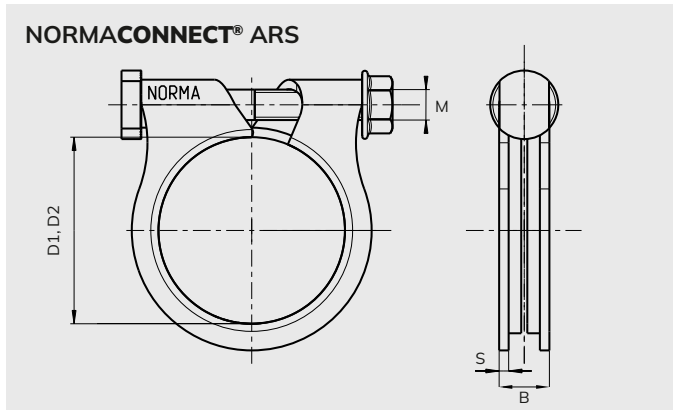
 Exhaust Systems

 Cooling Systems

 Fuel & Oil Systems

 Turbocharger Installations

 Fixing & Retaining



Applications

NORMACONNECT® ARS is particularly suitable for connecting exhaust pipes and silencers in the automotive industry. It is also used in engine manufacturing.

Material

Group	W1 (W2, W4, W5 upon request)
--------------	------------------------------

Part Number	Description	Clamping Range Ø DN (mm)	S	B	Recommended Tightening Torque	Packaging Quantity (pcs)
0151 8939 027	ARS-M8-27-1.5 W1	24 – 27	1.5	10.4	8 – 10 Nm	100
0151 8939 033	ARS-M8-33-1.5 W1	30 – 33	1.5	10.4		100
0151 8940 036	ARS-M8-36-2.0 W1	33 – 36	2.0	12.8	10 – 15 Nm	100
0151 8940 040	ARS-M8-39.5-2.0 W1	36.5 – 39.5	2.0	12.0		100
0151 8940 042	ARS-M8-42-2.0 W1	39 – 42	2.0	12.8		100
0151 8941 045	ARS-M8-45-2.5 W1	42 – 45	2.5	13.6		100
0151 8941 046	ARS-M8-46-2.5 W1	43 – 46	2.5	12.8	15 – 20 Nm	100
0151 8941 047	ARS-M8-47-2.5 W1	44 – 47	2.5	13.6		100
0151 8941 048	ARS-M8-48-2.5 W1	45 – 49	2.5	13.2		100
0151 8941 049	ARS-M8-49-2.5 W1	45 – 49	2.5	13.2		100
0151 8941 505	ARS-M8-50.5-2.5 W1	51 – 54	2.5	13.2		100
0151 8941 051	ARS-M8-51-2.5 W1	48 – 51	2.5	13.2		100
0151 8941 054	ARS-M8-54-2.5 W1	51 – 54	2.5	13.2		100
0151 8941 055	ARS-M8-55-2.5 W1	52 – 55	2.5	13.6		100
0151 8941 058	ARS-M8-58-2.5 W1	61 – 64	2.5	13.2		100
0151 8941 064	ARS-M8-64-2.5 W1	63 – 66	2.5	13.2		100
0151 8941 071	ARS-M8-71-2.5 W1	68 – 71	2.5	13.2	100	

More Benefits

- ✓ M8, M10 & M12 bolts available as alternatives
- ✓ Suitable for significant temperature fluctuations
- ✓ Very low weight and good sealing performance

NORMACONNECT® ARS is part of a broad portfolio. Discover more!



NORMACONNECT® RS/DIN



NORMACONNECT® AccuSeal



Do you have questions or require a personal consultation?
 Feel free to contact our Automotive Aftermarket Team!
 Visit our website for more information about our Automotive Aftermarket products: norma-aftermarket.com