

BREEZE[®] Constant-Torque Standard



Constant tension over wide temperature range due to spring mechanism

- ✓ Increased sealing reliability across a wide temperature range
- ✓ Automatic re-tensioning during temperature changes
- ✓ High performance
- ✓ Inner liner helps to maintain consistent sealing pressure



Air Intake & Induction



Exhaust Systems



Cooling Systems



Fuel & Oil Systems



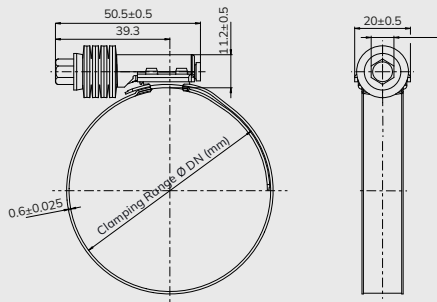
Turbocharger Installations



Fixing & Retaining

HOSE FASTENERS

BREEZE® Constant-Torque Standard



Applications

BREEZE® Constant-Torque Standard clamps are installed as original parts in many vehicles from leading automotive manufacturers.

Material

Group S10, S40

Part Number	Description	Band Width (mm)	Clamping Range Ø DN (mm)	Packaging Quantity (pcs)
0362 7105 017	CT Standard (HKFK) 12-22	14.3	12-22	50
0362 7105 022	CT Standard (HKFK) 16-27		16-27	50
0362 7105 026	CT Standard (HKFK) 20-32		20-32	50
0362 7105 033	CT Standard (HKFK) 25-40		25-40	50
0362 7105 038	CT Standard (HKFK) 30-45		30-45	50
0362 7105 043	CT Standard (HKFK) 35-50		35-50	50
0362 7105 050	CT Standard (HKFK) 40-60		40-60	50
0362 7105 060	CT Standard (HKFK) 50-70		50-70	50
0362 7105 070	CT Standard (HKFK) 60-80		60-80	50
0362 7105 080	CT Standard (HKFK) 70-90		70-90	50
0362 7101 017	CT Standard (HKFK-C) 12-22		12-22	50
0362 7101 022	CT Standard (HKFK-C) 16-27		16-27	50
0362 7101 026	CT Standard (HKFK-C) 20-32		20-32	50
0362 7101 033	CT Standard (HKFK-C) 25-40		25-40	50
0362 7101 038	CT Standard (HKFK-C) 30-45		30-45	50
0362 7101 043	CT Standard (HKFK-C) 35-50		35-50	50
0362 7101 050	CT Standard (HKFK-C) 40-60		40-60	50
0362 7101 060	CT Standard (HKFK-C) 50-70		50-70	50
0362 7101 070	CT Standard (HKFK-C) 60-80		60-80	50
0362 7101 080	CT Standard (HKFK-C) 70-90		70-90	100

More Benefits

- ✓ 14.3 mm band width
- ✓ Belleville spring mechanism increases or decreases the diameter
- ✓ Ideal for changes in operational or environmental temperatures

BREEZE® Constant-Torque Standard is part of a broad portfolio. Discover more!



BREEZE® Constant-Torque Heavy-Duty



NORMACLAMP® CC



Do you have questions or require a personal consultation?

Feel free to contact our Automotive Aftermarket Team!

Visit our website for more information about our Automotive Aftermarket products: norma-aftermarket.com

NORMA Group Holding GmbH | Edisonstraße 4 | 63477 Maintal | Germany | normagroup.com

This document supersedes all previous issues. No part of this publication may be reproduced without our prior written consent. In NORMA Group's policy of continual product improvements to meet user needs and technological developments, all models and sets listed in this folder (photographs, specifications, sizes and weights) may be upgraded or discontinued without notice and without any obligation on our part to modify tools or equipment sold previously. The recommendations for use and safety given in this folder do not replace accepted good practice or the safety related legal and regulatory provisions. References to standards implemented as of April 22, 2026 are not contractually binding.