


NORMACONNECT® RS/DIN





Safe system for connecting pipes that are fitted to one another


- ✓ Can also be used as a fixing clip or retaining clamp thanks to the straight-forward clamp structure
- ✓ In accordance with DIN 71555
- ✓ Straight design
- ✓ Easy to handle

 Air Intake & Induction

 Exhaust Systems

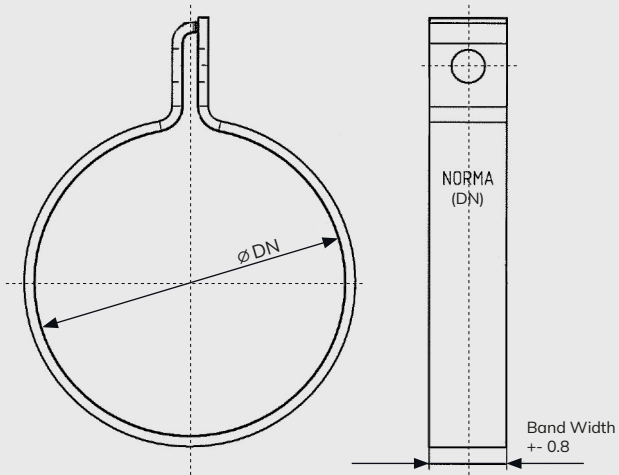
 Cooling Systems

 Fuel & Oil Systems

 Turbocharger Installations

 Fixing & Retaining

NORMACONNECT® RS/DIN



Applications

NORMACONNECT® RS/DIN is an exhaust pipe clamp that is used for connections of pipes that are fitted into one another.

Material

Group W1 (W2, W4, W5 upon request)

Part Number	Description	Band Width (mm)	Clamping Range \varnothing DN (mm)	Packaging Quantity (pcs)
0550 7000 030	RS 30.2 DIN 71555 W1	20	30.2	100
0550 7000 032	RS 32.2 DIN 71555 W1	20	32.2	100
0550 7000 035	RS 35.2 DIN 71555 W1	20	35.2	100
0550 7000 037	RS 37.2 DIN 71555 W1	20	37.2	100
0550 7000 040	RS 40.3 DIN 71555 W1	25	40.3	100
0550 7000 042	RS 42.3 DIN 71555 W1	25	42.3	100
0550 7000 045	RS 45.5 DIN 71555 W1	25	45.5	100
0550 7000 048	RS 48.5 DIN 71555 W1	25	48.5	100
0550 7000 050	RS 50.5 DIN 71555 W1	25	50.5	100
0550 7000 053	RS 53.5 DIN 71555 W1	25	53.5	100
0550 7000 055	RS 55.5 DIN 71555 W1	25	55.5	100
0550 7000 058	RS 58.5 DIN 71555 W1	25	58.5	100
0550 7000 060	RS 60.5 DIN 71555 W1	25	60.5	100
0550 7000 063	RS 63.5 DIN 71555 W1	25	63.5	100
0550 7000 065	RS 65.5 DIN 71555 W1	25	65.5	100
0550 7000 068	RS 68.5 DIN 71555 W1	25	68.5	100
0550 7000 070	RS 70.5 DIN 71555 W1	30	70.5	100
0550 7000 073	RS 73.5 DIN 71555 W1	30	73.5	100
0550 7000 075	RS 75.5 DIN 71555 W1	30	75.5	50

Part Number	Description	Band Width (mm)	Clamping Range Ø DN (mm)	Packaging Quantity (pcs)
0550 7000 078	RS 78.5 DIN 71555 W1	30	78.5	50
0550 7000 085	RS 85.5 DIN 71555 W1	30	85.5	50
0550 7000 089	RS 89.5 DIN 71555 W1	30	89.5	50
0550 7000 090	RS 90.5 DIN 71555 W1	30	90.5	100
0550 7000 094	RS 94.5 DIN 71555 W1	30	94.5	50
0550 7000 100	RS 100.5 DIN 71555 W1	30	100.5	50
0550 7000 104	RS 104.5 DIN 71555 W1	30	104.5	50

More Benefits

- ✓ Alternative to NORMACONNECT® ARS clamps
- ✓ M8 or M10 fastening bolts or nuts can be selected individually
- ✓ Option of attaching a lug
- ✓ > 144 h corrosion resistance in salt spray testing

NORMACONNECT® RS/DIN is part of a broad portfolio. Discover more!



NORMACONNECT® SEC



NORMACONNECT® ARS



Do you have questions or require a personal consultation?

Feel free to contact our Automotive Aftermarket Team!

Visit our website for more information about our Automotive Aftermarket products: norma-aftermarket.com

NORMA Group Holding GmbH | Edisonstraße 4 | 63477 Maintal | Germany | normagroup.com

This document supersedes all previous issues. No part of this publication may be reproduced without our prior written consent. In NORMA Group's policy of continual product improvements to meet user needs and technological developments, all models and sets listed in this folder (photographs, specifications, sizes and weights) may be upgraded or discontinued without notice and without any obligation on our part to modify tools or equipment sold previously. The recommendations for use and safety given in this folder do not replace accepted good practice or the safety related legal and regulatory provisions. References to standards implemented as of May 04, 2026 are not contractually binding.